

Wireless Control

Submittal Check Sheet

Motor-Operated Contract Series

Date: _____

Project Name: _____
 Project Location: _____
 Dealer/Installer: _____
 Architect: _____
 General Contractor: _____
 Fabric Style: _____
 Fabric Color/Number: _____
 Fabric Openness: _____

All fabric options and data sheets are available at texstyle.com

Select Hardware Color



Select Motor Location (As viewed from room side of window)

Right Hand Side (standard)
 Left Hand Side

Select Motor Control (Multiples may be selected)

Refer to Pg.4 for more info

Pulse Hub (works with phone app)	Internal Sun Sensor
Wall remote in standard wall box	BMS
Wall remote, flush mount	Hand held (Push) remote

Select Handheld (Push) or Wall Remote Options

Push Series Remotes	Paradigm Cut-in Wall Switches	Flush Mount Wall Switch
Push ONE	1 Ch	5 Ch
Push 5	2 Ch	
Push 15	15 Ch	Refer to Pg.4 for more info

Select Motor Power

110 Volt AC
 12 Volt DC
 5 Volt Battery

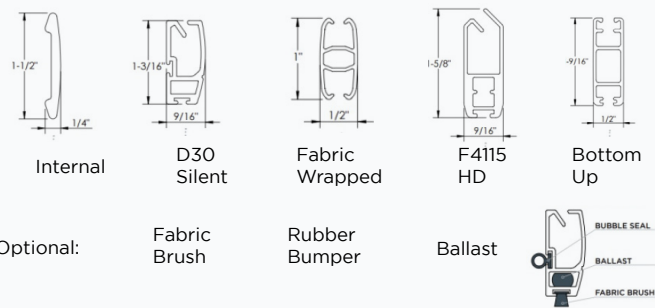
Select Motor Style

Standard
 Quiet Motor

Select Low Voltage Power Supply (disregard for 110v)

5 Volt Wall Charger	5 V Rechargeable Batt Pack
12 Volt Power Supply	Quiet Motor
15 Volt Power Panel (15 Volt panel supplies power for up to 18 dc motors)	

Select Weightbar (Bottom Hem Bar)



Select Mounting Hardware System

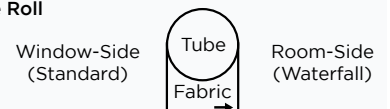
Open Roll
 Dual Open Roll
 3" Fascia
 4" Fascia
 5" Fascia Single Roll
 5" Fascia Double Roll
 Cassette 110
 5" x 5" Recessed Headbox with bottom closure
 6" x 6" Recessed Headbox with bottom closure
 7" x 9" Recessed Headbox with bottom closure
 Tile Lip on Headbox (See page 4 for diagram)

(See page 3 & 4 for specific bracket sizes for each option)

Select Mounting Hardware System

Wire Guide
 Headbox Bottom Closure
 Bracket Covers
 Side Channels for Blackout (Edge) white, gray, black
 Pocket "I" Wall Clip
 Pocket "L" Clip with Tile Lip
 Skylight Zipscreen
 Skylight Wireguide Bottom Up Shade
 Silent Pin System (Heavy Duty with Dual Bearings)
 Linked shade panels- as marked on plans

Select Fabric Orientation on the Roll



Regular (Standard) _____
 Waterfall (Standard) _____

Dual Roll Orientation Specify:

Light Filtering(LF) _____ Black out(BO) _____

Submittal Check Sheet Specifications

1. **Contract Series Control System:** Motor operated fabric window and/or opening roller shade that includes the installation brackets and all respective components to operate a wireless-motor-controlled shade device to include any enclosure, fascia, cassette, pocket, decorative or non-decorative bracketing system as per the contract documents.
 2. **Mounting Brackets and Hardware:** Manufacturer's standard powder-coated or zinc-plated, cold-rolled steel universal brackets. Universal dual shade brackets available for two-shade applications. Linking brackets available for multiple shade band applications. Idle side brackets have bearings for extended life and ease of use.
 3. **Spring-loaded Idler Pin:** UV Stabilized, self-lubricating Nylon outside sleeve and center spring-loaded shaft. The idler bracket has bearings on which the roller tube rides ensuring smooth, wear-resistant operation and ease of installation.
 4. **Roller Tube:** Extruded Aluminum shade roller tube of uniform diameter and varying wall thickness required (for uniform aesthetic) to support shade fabric without excessive deflection, with engineered wall and ribs to lock the clutch and idle end-plug into place, providing strength and durability. Extruded tube parameters to be determined by Manufacturer for each shade's size, weight, and fabric requirement.
 5. **Fabric attachment to tube:** Provide for positive mechanical attachment to tube by either:
 - a. LSE (Low Stress Energy) double-sided adhesive tape to secure the fabric without having to remove the shade roller from the shade brackets. Adhesive attachment affords minor lateral adjustments to edge clearance dimensions. Fabric wrap of 2 to 3 times the circumference of the roller tube required for proper tension of fabric-to-tube. Or,
 - b. Switch Spline Attachment (for removal and cleaning of shade band (fabric panel)): Must allow for easy removal of shade band without removing roller tube, housing, or mechanical systems. System must allow top of shade band to drop below the shade tube, fascia bottom return, or pocket closure for easy removal of shade band. Switch spline style roller tube required.
 6. **Shade Cloth Fabric:** Inherently anti-static, flame-retardant, fade and stain resistant, light-filtering, room-darkening, or blackout fabrics as selected from Textile, a division of RolleaseAcmeda. Choose light-filtering or room-darkening fabrics from Manufacturer's available product offering.
- Full specs available here:
www.rolleaseacmedacontract.com/resources/

System Options



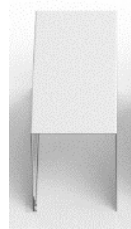
Side Channels



Switch Spline



Fascia



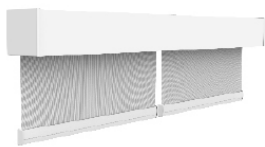
AP Ceiling Pockets



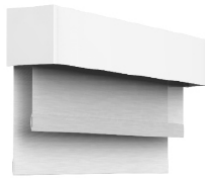
Wire Guide



Motorization



Link System

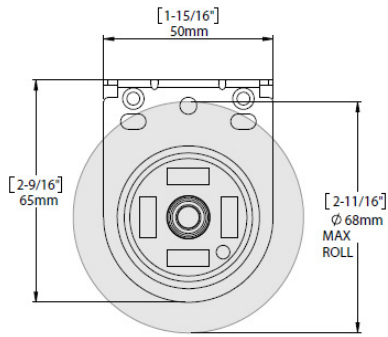


Dual Roll

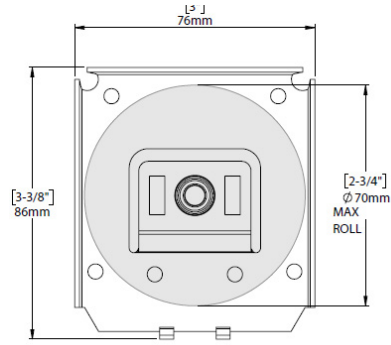


Cassette 110

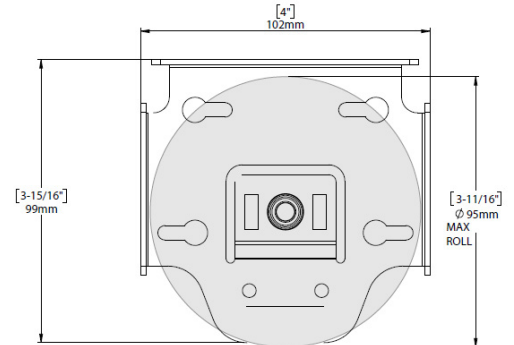
Submittal Check Sheet Hardware Dimensions



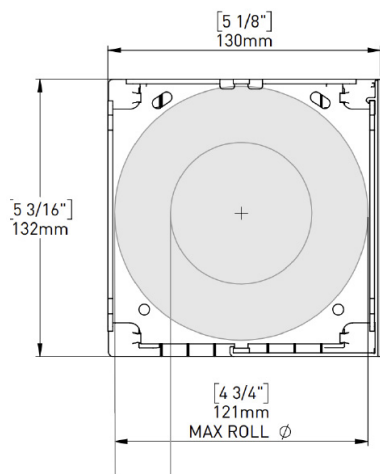
Open Roll LX Bearing Driven Bracket



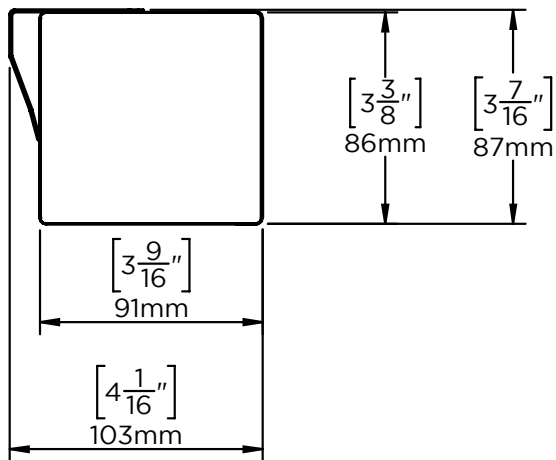
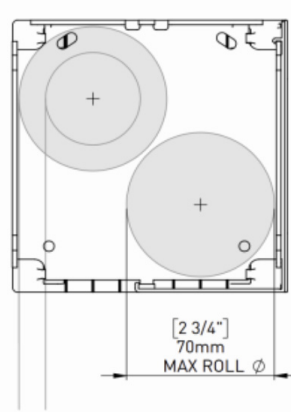
3" Fascia Bearing Driven Bracket



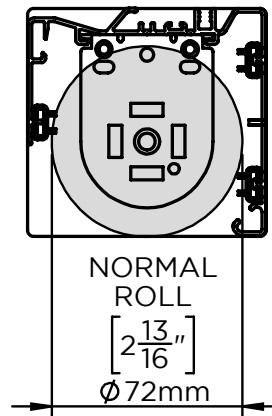
4" Fascia Bearing Driven Bracket



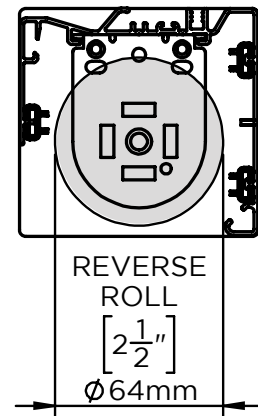
5" Fascia Bracket with Idler Bearings
Single or Dual Roll



Cassette 110



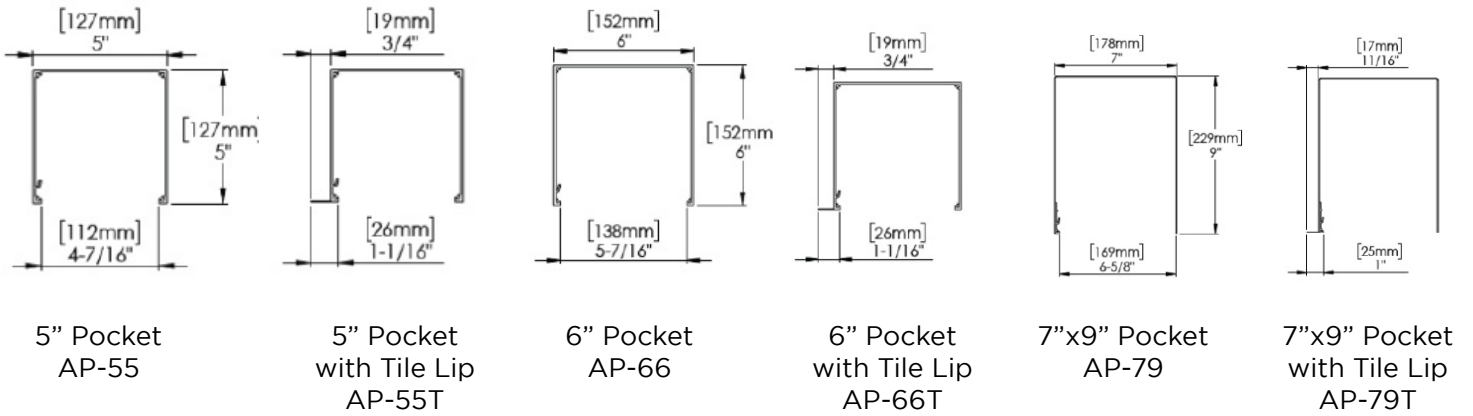
NORMAL ROLL
[2 13/16]
Ø72mm



REVERSE ROLL
[2 1/2]
Ø64mm

Diagrams for reference only
Not to Scale

Headbox Dimensions



Push Series Remotes



Flush Mount Wall Switch

Note:
Custom printed and configured buttons available on flush mount wall switch



Paradigm Cut-in Wall Switches



Note:
Installation requires wall cut-in