

Contract Series

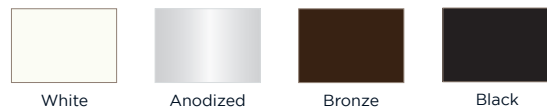
Bracket & Fascia Systems

Rollease Acmeda Contract offers bracket and fascia enclosure systems of various sizes and color options to accommodate any commercial project condition. Designed with ease of installation in mind, Contract Series brackets and fascia add style to any room and is now offered as standard with Rollease Acmeda's bearing bracket to provide a quieter system with lower drag and pull forces, lessening the chance of broken chains in operation.

Color Options
Bracket & Internal Hardware

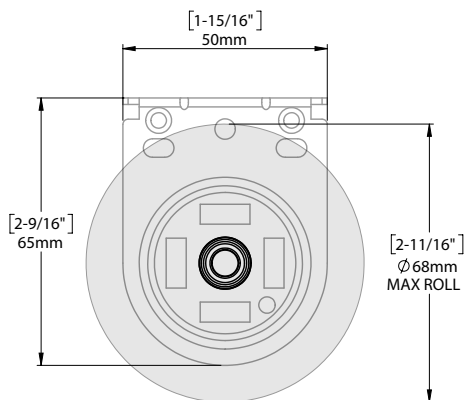


Color Options
Fascia Finishes



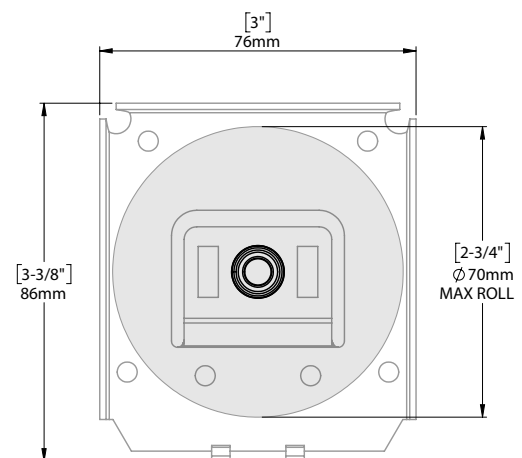
LX

- 40mm LX bearing bracket for Open Roll systems
- Max Roll Diameter: 2-11/16"
- Max Coverage Area (per panel): 100 sq. ft.
- Max linked panels: 3
- Pocket Style: 5" AP



3" Fascia

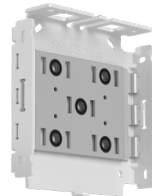
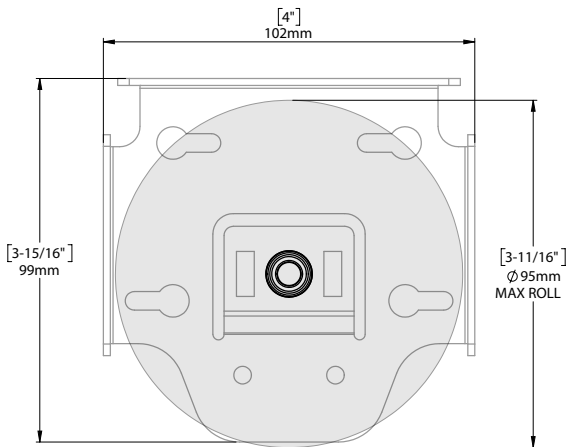
- Fascia bearing bracket for 3" Fascia systems
- Max Roll Diameter: 2-3/4"
- Max Coverage Area (per panel): 100 sq. ft.
- Max linked panels: 3
- Pocket Style: 5" AP





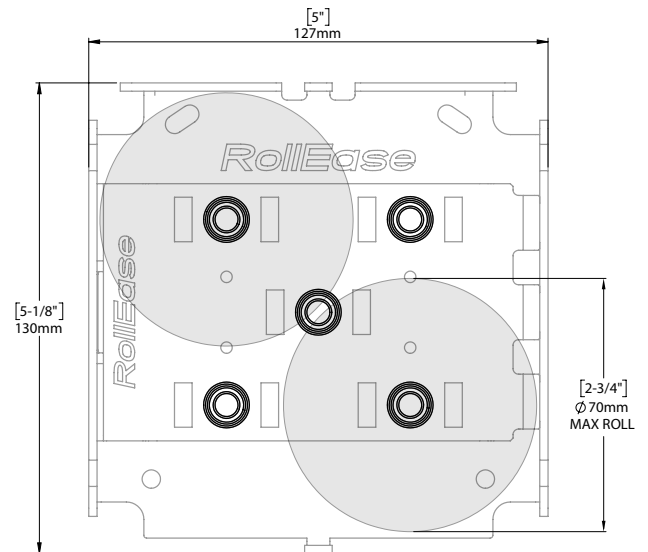
4" Fascia

- Fascia bearing bracket for 4" Fascia systems
- Max Roll Diameter: 3-3/4"
- Max Coverage Area (per panel): 250 sq. ft.
- Max linked panels: 3
- Pocket Style: 5" AP



5" Fascia System Single & Dual

- Fascia bearing bracket insert for 5" Fascia systems
- Can accommodate single or dual roll configurations
- 5 bearings included to provide flexibility for design/install purposes
- Max Roll Diameter: 4-3/4" (single) / 2-3/4" (dual)
- Max Coverage Area (per panel): 300 sq. ft. (single) / 100 sq. ft. (dual)
- Max linked panels: 3
- Pocket Style: 6" AP (single) / 7x9" AP (dual)



Disclaimer

Max fabric roll and coverage area sizes are approximate and are based on an average fabric in a reasonable width for the shading system. To be sure, please contact your local representative or the Rollease-Acmeda technical support team at 1-800-552-5100