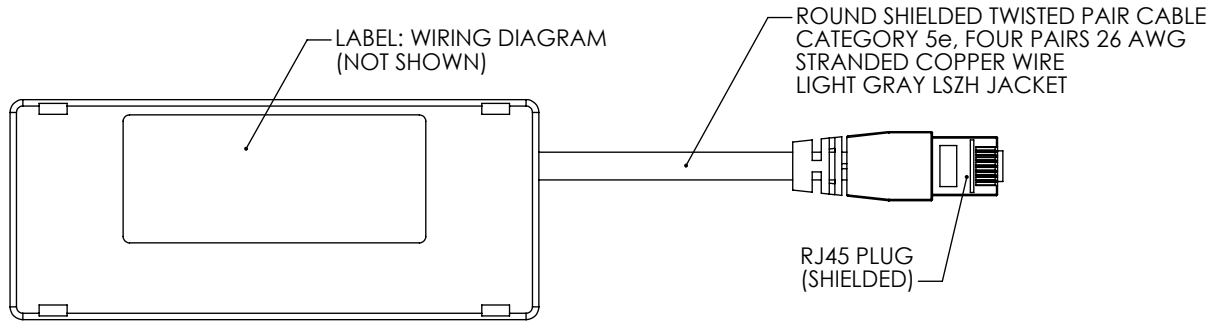
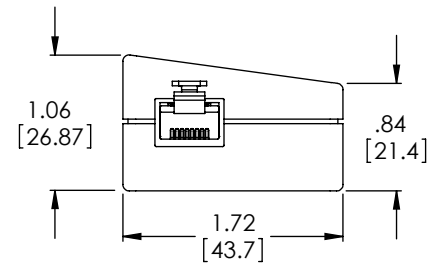
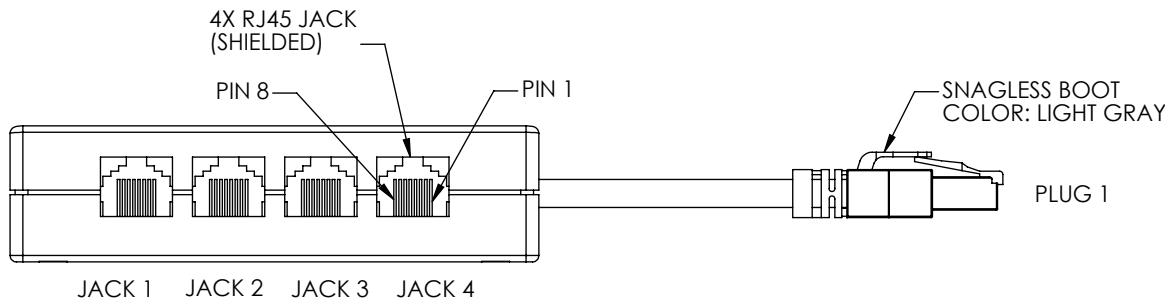
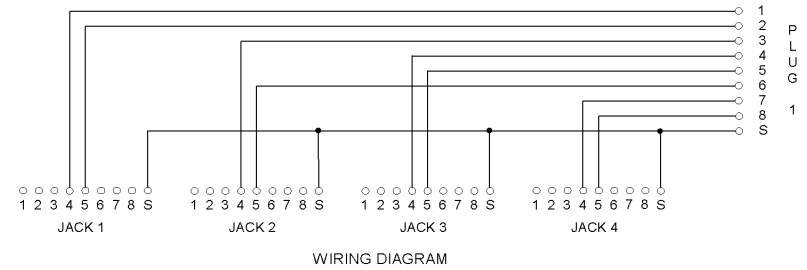
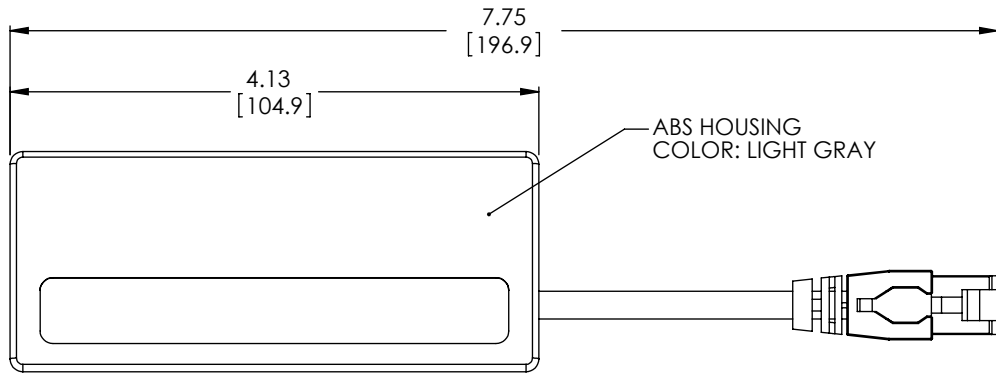


THE INFORMATION CONTAINED IN THIS DRAWING IS THE SOLE PROPERTY OF L-COM, INC. ANY REPRODUCTION IN PART OR WHOLE WITHOUT THE WRITTEN PERMISSION OF L-COM, INC. IS PROHIBITED.

REVISIONS			
REV	DESCRIPTION	DATE	APPROVED
A	RELEASED FOR PRODUCTION BY Z. WORONKO	01/31/02	D. PARHAM
B	ECN3656: UPDATED CABLE SPEC. UPDATED DRAWING FORMAT.	10/21/08	D. PARHAM
.	.	.	.
.	.	.	.



NOTE:  
 1. ASSEMBLY COMES WITH 2 SELF-ADHERING FOAM STRIPS.  
 2. INTERNAL CONNECTIONS MADE WITH INTEGRAL CIRCUIT BOARD.

UNLESS OTHERWISE SPECIFIED, DIMENSIONS ARE IN INCHES [mm]  OVERALL CABLE LENGTH TOLERANCE: $\leq 12$ [305] = +1 [25] / -0 $>12$ [305] $\leq 60$ [1524] = +2 [51] / -0 $>60$ [1524] $\leq 120$ [3048] = +4 [102] / -0 $>120$ [3048] $\leq 300$ [7620] = +6 [152] / -0 $>300$ [7620] = +5% / -0%  ALL OTHER DIMENSIONAL TOLERANCES: .X = .3 .XX = .15	APPROVALS DRAWN BY D PARHAM	DATE 12/14/2001		45 BEECHWOOD DRIVE NORTH ANDOVER, MA 01845	
	CHECKED BY T CLARK	DATE 12/17/2001		CATEGORY MODULAR	
	APPROVED BY R CARRICK	DATE 1/21/2002	PRODUCT DESCRIPTION SPLTR 4(8X8)JK/(8X8)M		
	CONFIGURATION DETAILS OF UNDIMENSIONED FEATURES MAY VARY  PROJECTION 	COLOR VARIATIONS MAY OCCUR	SIZE <b>A</b>	FSCM NO. <b>43321</b>	DWG. NO. PMOD4S-2

SCALE: NONE	CAD FILE: PMOD4S-2.SLDDRW	SHEET 1 OF 1
-------------	---------------------------	--------------