

ROLLEASE ACMEDA CLIP PROFILES

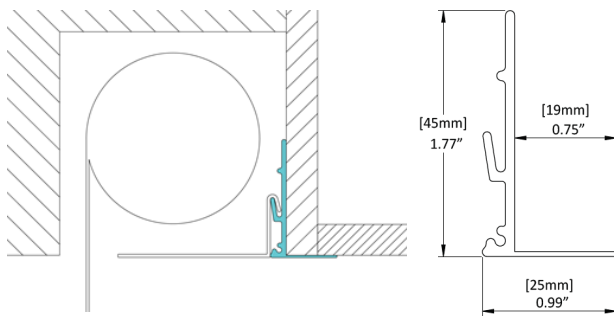
L & I CLIP PROFILES

L & I Closure Clips are suitable for installations where roller shade units are recessed inside a pocket and adequate fixtures are available for a Closure Clip to be secured. The Closure Clips offer a simple and cost effective option to the traditional pocket system.

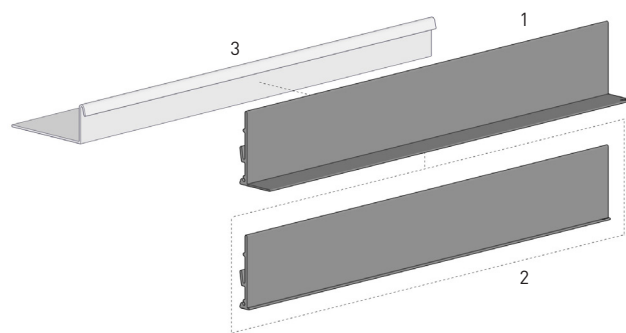
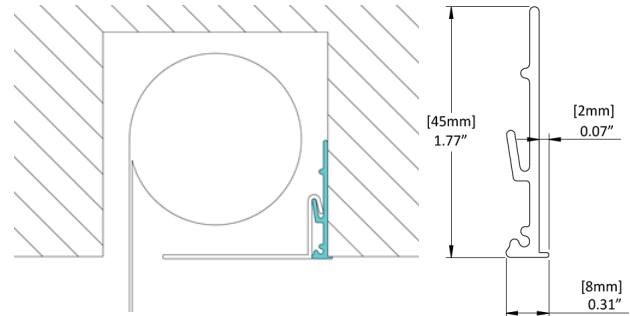
FEATURES AND BENEFITS

- Clip profiles can eliminate the need for a full pocket extrusion in drywall pocket or "no pocket" applications.
- It is a cost saving pocket solution with minimal aluminium achieving a square recess.
- They work with the existing closure panels.
- The L clip features an extended lip that can conceal unsightly cuts.
- The L clips are a smart solution to use with suspended ceilings.
- The I clip is a slimline solution to use with a closure.

L CLIP



I CLIP

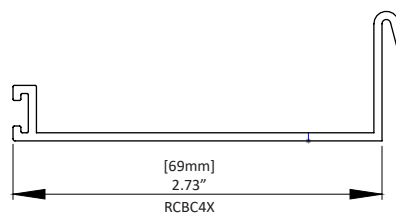
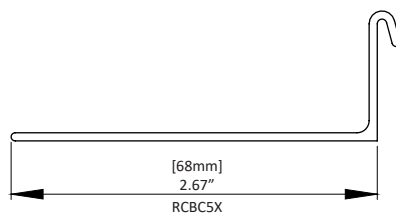


PARTS NUMBERS

- | | |
|---|----------------------------------|
| 1 | L Clip |
| | SB21-0504-XXX490 |
| 2 | I Clip |
| | SB21-0514-xxx490 |
| 3 | Closure |
| | RCBC#x - 3", 4", 5" Closure Clip |

- Size
xxx- Color

CLOSURE DIMENSIONS



ROLLEASE ACMEDA CONTRACT

Leading innovator of precision hardware and automated shade solutions.

USA | EUROPE | AUSTRALIA rolleasacmeda.com