

SKYLIGHTS

The Zipscreen Skylight system offers a refined solution for light block out in any horizontal or sloped windows. Using secure zip locking channels, the system achieves perfect tension of fabric in all directions during operation and while stationary. Electronically operated, it's the ultimate system for energy saving throughout buildings, adaptable for both commercial and domestic applications. The Wire Guide Skylight offers a cost effective solution giving flexibility for a range of installation scenarios.

AESTHETICAL FEATURES

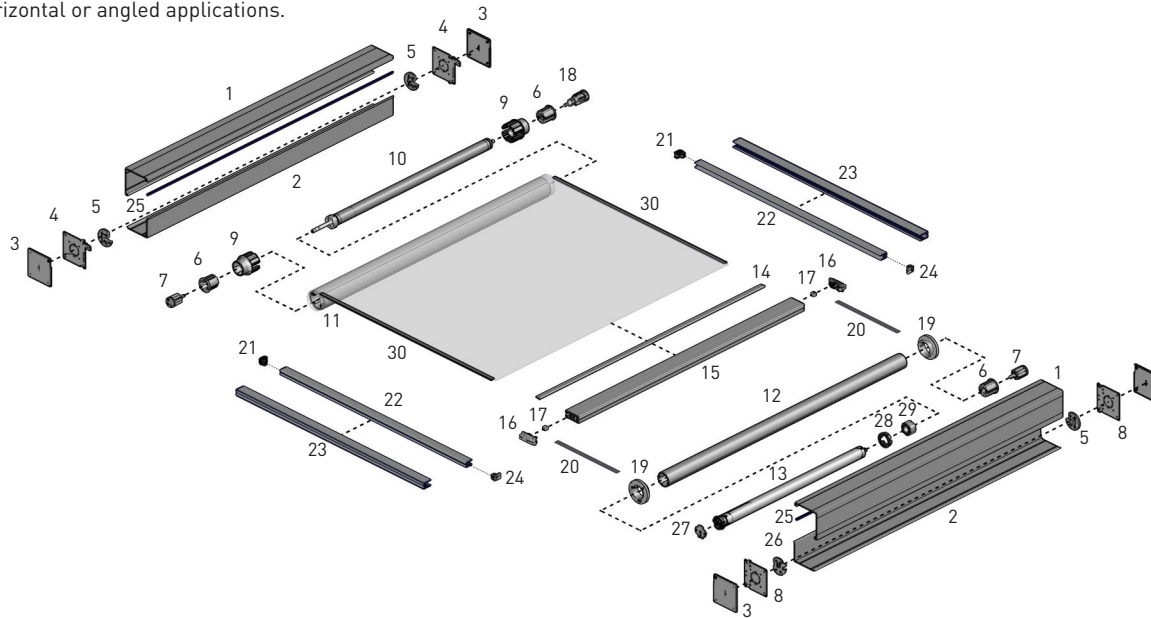
- Contemporary square architectural design.
- Custom colour matching achievable
- No visible tape/cord for Zipscreen Skylight

PRODUCTION / ASSEMBLY FEATURES

- Removable front covers for ease of maintenance and assembly.
- Uses S60 components for large applications.
- Zip reducers designed to accommodate zip build up preventing fabric ripples.

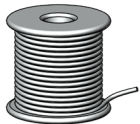
FUNCTIONAL BENEFITS

- Further enhances energy conservation compared to a standard roller blind.
- Versatile system for horizontal or angled applications.

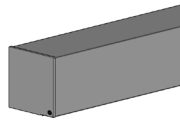


SYSTEM OPTIONS

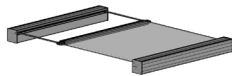
CORD
(Tape Alternative)



BOX100
(Alternative Cassette)



WIREGUIDE
(Alternative Side Guide)



CONTROL

MOTORIZED + SPRING



COLOUR RANGE



pure white
069

mill
000



black
050

anodized
020
(INDENT)

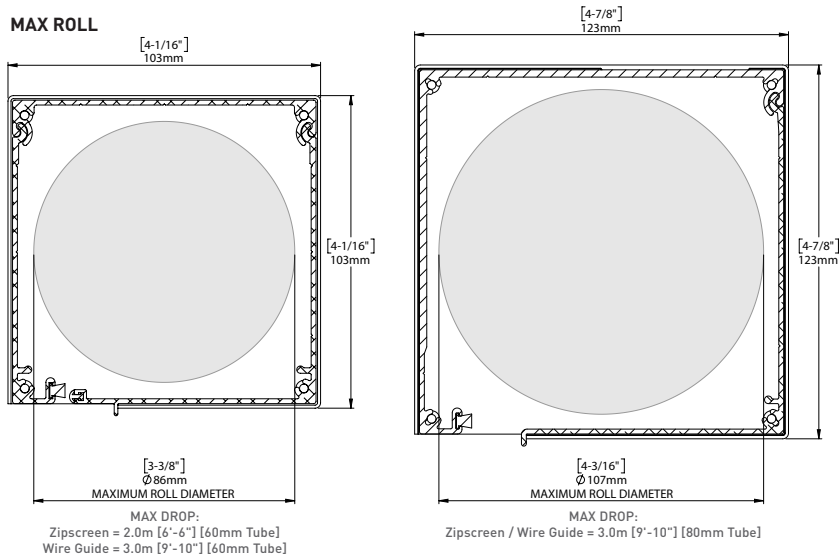
SYSTEM INDEX

- 1 Box 120 - TOP & BACK
SB01-1340-xxxLLL
- 2 Box 120 - Cover
SB01-1326-xxxLLL
- 3 Box 120 'SH33' End Plate Cove
SB02-1220-xxx020
- 4 Box 120 - Universal End Plate Set - With Ears
SB02-1201-025020
- 5 RB10 Idler Head Adapter
RB10-6400-050001
- 6 RB10 Tube Adapter
RB10-6000-xxx060
- 7 RB10 Bearing Idler
RB10-6200-xxx001
- 8 Box 120 - Universal End Plate Set - WithOUT Ears
SB02-1201-025010
- 9 Zip Tube Reducer | Long
SB11-0815-050580
- 10 RB10 Booster Extra Heavy (LH)
RB10-6040-xxx051
- 11 SYS60 | 80HD Aluminium Tube • O.D 80.0mm
RB91-0280-000LLL
- 12 SYS60 | 60STD Aluminium Tube • O.D 60.0mm
RB91-0260-xxxLLL
- 13 FT Motor
See Catalog
- 14 7.2mm Spline with 15mm Tail
SB91-0408-xxx015
- 15 F72 HD Weight Bar
RE15-0112-xxxLLL
- 16 F72 Multi-bar End Caps
RE15-0512-xxx000
- 17 F72 Multi-bar Cord Guide Set
RE15-0532-xxx000
- 18 RB10 Pre-Tension Idler
RB10-6220-050001
- 19 SKYLIGHT Tape Spool - 9mm Tape + Fixing Screw | SYS60
SS48-1061-xxx090
- 20 Lift Tape, Outdoor
SS95-6038-050500
- 21 Skylight Zipscreen Inner Rail End Cap + Screw
SB05-1611-xxx001
- 22 ZIPSCREEN - Zip Inner Rail
SB04-0701-xxxLLL
- 23 ZIPSCREEN - 'U' Mounting Rail
SB04-0702-xxxLLL
- 24 Zipscreen | Inner Rail Funnel & Stop Set
SB05-1411-050001
- 25 Fabric Brush T Slot Fit
SB91-0011-xxxLLL
- 26 Motor Adapter
See Catalog
- 27 Motor Head Plate
See Catalog
- 28 Crown Wheel | S60
See Catalog
- 29 Drive Wheel | S60
See Catalog
- 30 ZIP | No.6 GAUGE
SH91-0135-050200

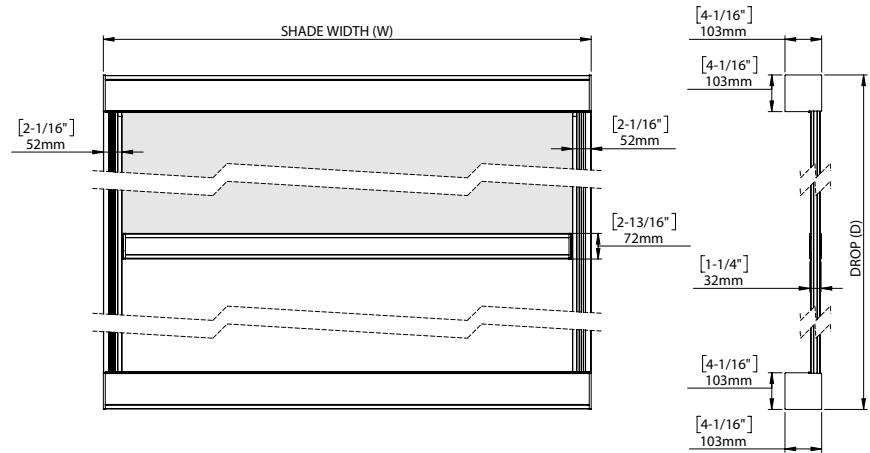
xxx= colour

SPECIFICATIONS

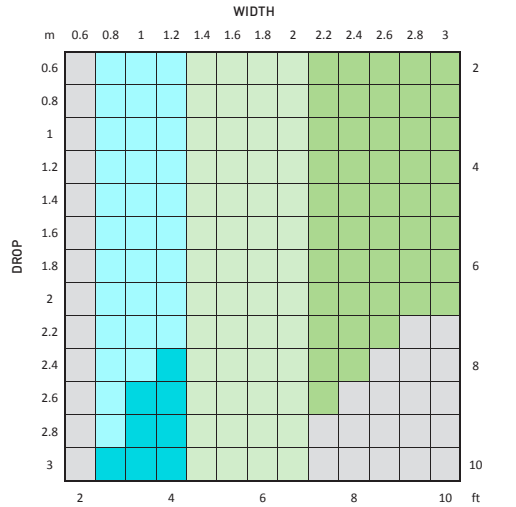
MAX ROLL



ARCHITECTURAL VIEWS



SYSTEM CAPACITY

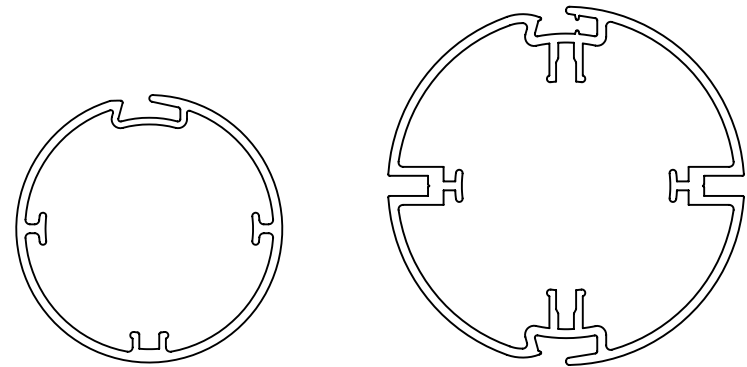


Fabric: 420gsm (12.4oz/yd²) Weight/Hem Bar: F56 HD [Wire Guide], F72 [Zipscreen]

CONTROL	TUBE
SHORT	Zipscreen Wire Guide
	Zipscreen
EXTRA HEAVY	Zipscreen Wire Guide
	Zipscreen

Short Booster - Minimum Shade Width = 0.8m (3ft) | EXTRA Heavy Booster - Minimum Shade Width = 1.25m (4ft)

TUBE SPECS



S60 | 60 STANDARD TUBE

Code: RB91-0260-000490 - US ONLY
 RB91-0260-000580 - AU ONLY
 OD: 60mm (2.36")
 Length: 4.87m (16 ft), 5.8m (19 ft)

S60 | 80 HEAVY DUTY TUBE

Code: RB91-0280-000490 - US ONLY
 RB91-0280-000480 - AU ONLY
 RB91-0280-000580 - AU ONLY
 OD: 80mm (3.15")
 Length: 4.87m (16 ft), 4.8m (15.7 ft),
 5.8m (19 ft)